

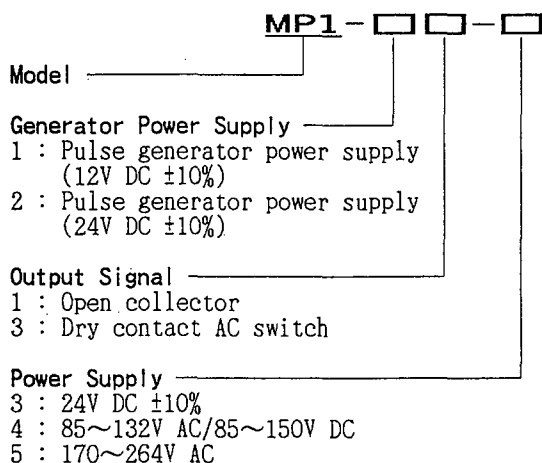
General Specifications

MP1
Pulse Repeater

JUXTA

This plug-in type pulse repeater receives contact pulse, voltage pulse or current pulse from the field and converts it into isolated transistor contact pulse or dry contact AC switch-pulse.

- 4 ports isolation (input, output, power supply, ground)
- Can specify pulse generator power supply to supply 12V DC or 24V DC.
- Versatile power supply (100V/200V AC, 24V/100V DC)
- If it receives chattering signals, internal input filter (10ms) requirement can be selected through switch
- Selection of load resistance and setting of input filter can be made through front face.
- 2000V AC high voltage proof.



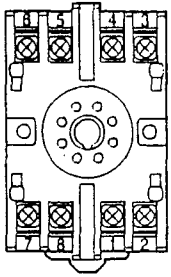
ORDERING INFORMATION

- Model Code : (Example) MP1-11-3

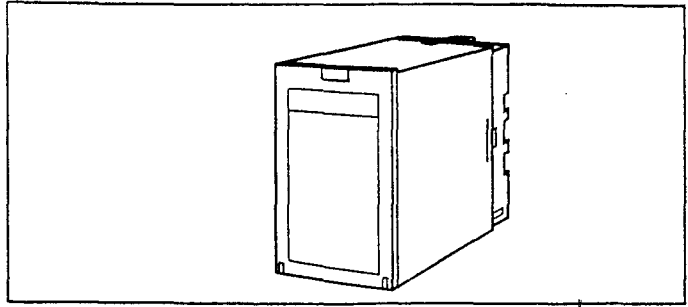
Input & Output		
Input Signal Type :		
	Signal Type	
	Dry Voltage Contact	
ON Input	Contact R 200 Ω or less	
OFF Input	Contact R 100k Ω or more	
	Signal Type	
	Voltage Pulse	Current Pulse
Hi level	2V~50V DC	(2/R _L)mA~(50V/R _L)mA
Lo level	-1V~+8V DC	(-1/R _L)mA~(+8V/R _L)mA
Voltage pulse amplitude : 2V or more		
Max. permissible input voltage : 50V DC or less		
R _L : Internal load resistance (k Ω)		

Input Frequency : 0~10kHz
Input Resistance : Contact or voltage pulse : 15k Ω or more Current pulse : Load resistance value
Input Pulse Width : Minimum 40 μ s or both ON time and OFF time
Input Contact Rating : 15V DC/15mA or more
Input Filter : Time constant about 10ms Setting ON/OFF can be done from front face (Set it at OFF when shipment from factory) Input frequency range at time of filter setting is 100Hz (pulse width more than 3ms or more)
Generator Power Supply : 12V DC/30mA or 24V DC/30mA (with current control circuit at 40~60mA)
Internal Load Resistance(R _L):None, 200 Ω , 500 Ω , 1k Ω (In case of current pulse input; it can be selected by whichever resistance or combination) (In case of voltage pulse or dry voltage contact input, select none) (Set it at none when shipment from factory)
Output Type : Open collector or dry contact AC switch
Max. Load Resistance : Open collector 30V DC/200mA Dry contact AC switch 100V AC /200mA
Relation of Input/Output : Output circuit is ON/OFF against input signal ON/OFF
Standard Performance
Insulation Resistance : Over 100M Ω (500V DC) between input~output~power supply~ground
Withstand Voltage : 2000V AC/minute between input~output~power supply~ground
Temperature Range : 0~50C
Humidity Range : 5~90% RH (no condensation)
Power Voltage : 24V DC $\pm 10\%$ 85~132V AC (47~63Hz)/85~150V DC or 170~264V AC (47~63Hz)
Effect of Power Voltage Fluctuation : No erroneous action for power voltage range
Effect of Ambient Temperature Change : No erroneous action for temperature range
Power Dissipation : 24V DC 70mA, 110V DC 15mA
Current Dissipation : 100V AC 5VA, 200V AC 7.5VA * When pulse generator power supply is not used
Mounting, Shape & Accessories
Materials : Case ABS plastic
Mounting Method : Wall and DIN rail mountings More than 5mm interval is required for close mounting
Connecting Method : M3.5 screw terminal
External Dimension : 85x50x123mm(HxWxD) (including socket)
Weight : Body : Abt. 250g Socket : Abt. 60g
Accessories : Spacer 1 (use for DIN rail mounting) Tag number label 2

TERMINAL ARRANGEMENT

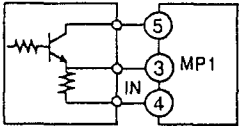


1	OUTPUT	(+)
2	OUTPUT	(-)
3	INPUT	(+)
4	INPUT	(-)
5	INPUT	(PS+)
6	GND	(G)
7	SUPPLY	(L+)
8	SUPPLY	(N-)

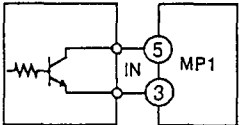


BLOCK DIAGRAM

To receive voltage pulse driving generator power supply

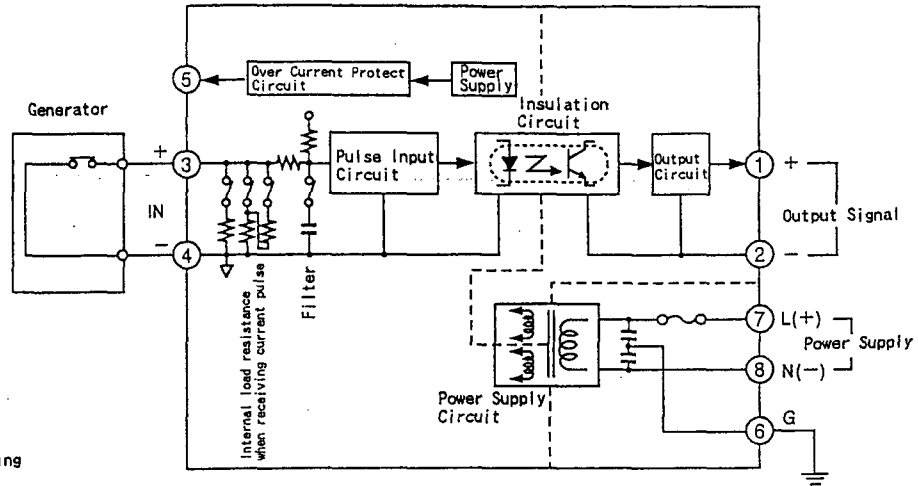


To receive current pulse driving generator power supply

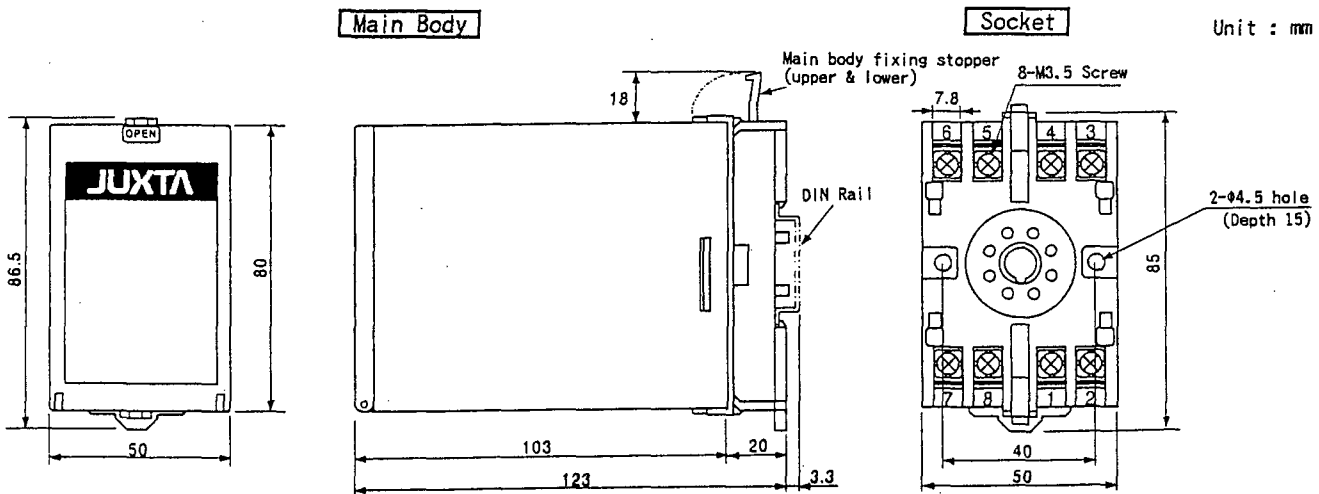


Select most suitable value combining internal load resistances

To receive dry voltage contact (or open collector) or voltage pulse



EXTERNAL DIMENSION



Subject to change without notice for grade up quality and performance